

MOBICHAIN™

Flexible jib crane for ergonomic lifting

Mobichain is a unique product that combines the mobile articulated jib crane smoothness with fast, precise and stepless lifting movements via an integrated Mechchain Pro. With height-adjustable column, mobile or fixed mounting, reach of up to 4 meters and a lifting capacity up to 100 kg is Mobichain an exceptional product for ergonomic and sustainable handling.

Mobichain combines function and ergonomics in a modern product design suited for the high demands and needs in current and future handling. The lifting and lowering movements are controlled via a joystick that can be free-hanging in cable, or integrated in a gripper.



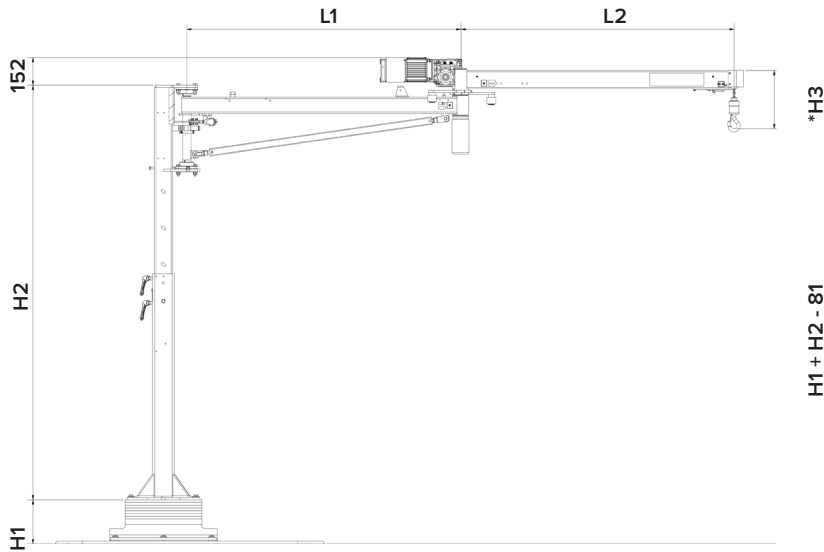
MOVOMECH.COM



PRODUCT FEATURES

- Mobile solution with frequency-controlled lifting unit for smooth stepless lift-and lower movements
- High precision in combination with high lifting speed
- Control via joystick
- Compact, low construction height and silent working
- Easy to move with manual pallet truck
- Connect to 230V wall socket
- Radio control as option

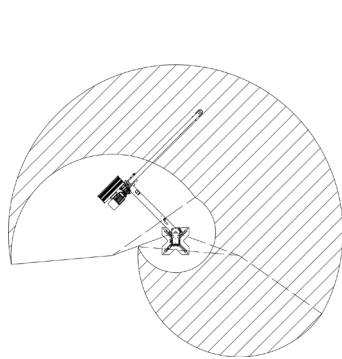
MOBICHAIN™ configuration



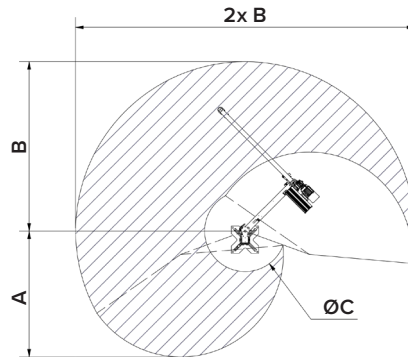
* Depending on type of hook, swivel etc.
Dimensions are also affected when choosing a spiral hose and/or spiral cable.

H1 + H2 - 81

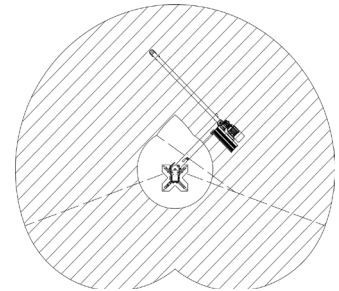
L1	L2	A	B	ØC
1000	1500	1842	2479	1187
1500	1500	2013	2974	783
1500	2000	2513	3471	1348
2000	2000	2684	3966	1044



Left hung Mobichain

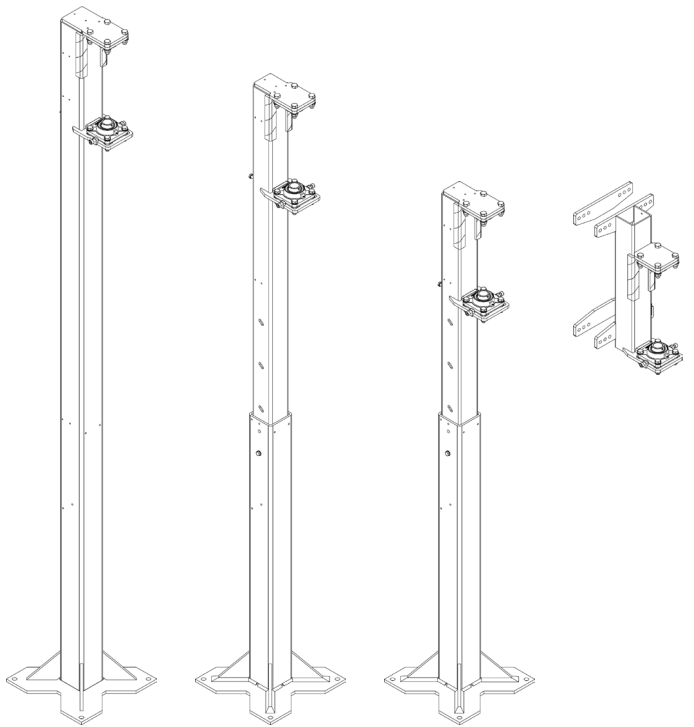


Right hung Mobichain



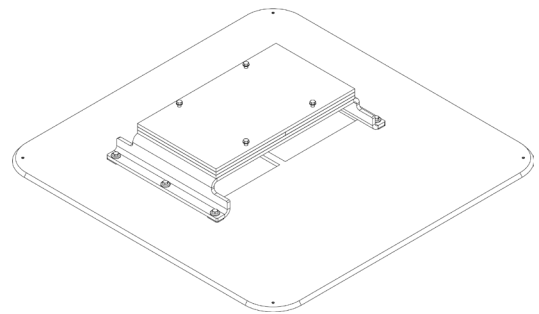
Full rotation Mobichain

1. Pillar / Wall bracket



Configuration	Part Number	Max height (H2)
Fixed pillar	743953	3500 mm
Adjustable pillar +500 mm	743254	2268 - 3228 mm
Adjustable pillar	743253	1768 - 2728 mm
Wall bracket	743255	-

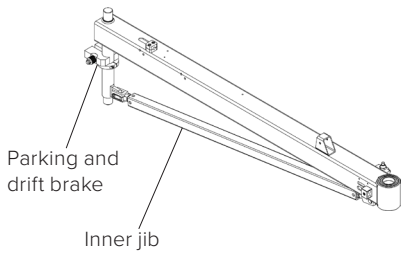
2. Mobile footplate



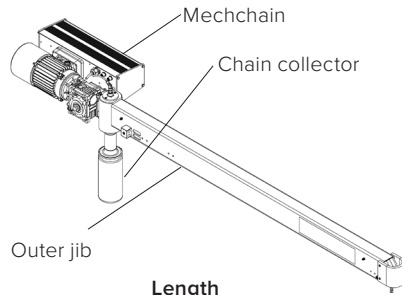
	Weights	Height (H1)	Arms	Capacity
743251	5	211 mm	1 m + 1.5 m	100 kg
743418	7	241 mm	1.5 m + 1.5 m	85 kg
743562	10	286 mm	1.5 m + 2 m	70 kg
744929	12	316 mm	2 m + 2 m	55 kg

MOBICHAIN™ configuration

3. Inner and outer jib



	Length
744926	1000 mm
744927	1500 mm
744928	2000 mm

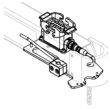


	Length
744772	1500 mm
744773	2000 mm

Outer jib must be = or 500 mm > inner jib



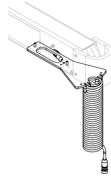
4. Interface outer jib



Hanging cable *
744774



Hanging cable + Ø10 pneu.*
744775



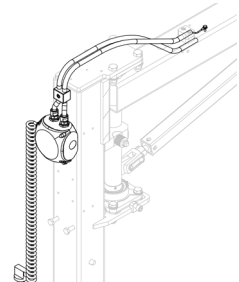
Spiral cable
744776



Spiral cable + Ø10 pneu.
744777



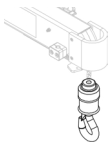
Ø10 pneu.
744778



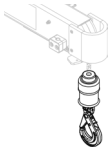
Media supply
Electrical
744923

* Add control unit cable, M17 2,5 m **742955**

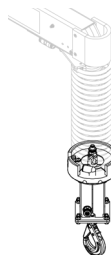
5. Lift hook



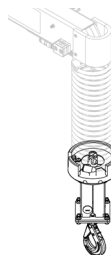
Standard hook
731418
H3 = 320 mm



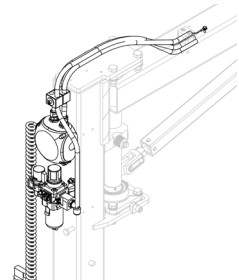
Safety hook
731637
H3 = 350 mm



Swivel w. safety
hook, el. + pneu
744779
H3 = 700 mm



Swivel w. safety
hook, pneu
744780
H3 = 700 mm



Media supply
Electrical + Ø10 pneu.
744924

7. Control unit



Control unit M17
742195



Control unit M17
W. protection
742196



Control unit M17
W. protection + handle
742197



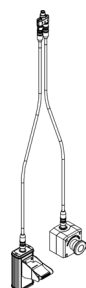
Control unit M12
742192



Control unit M12
W. protection
742194

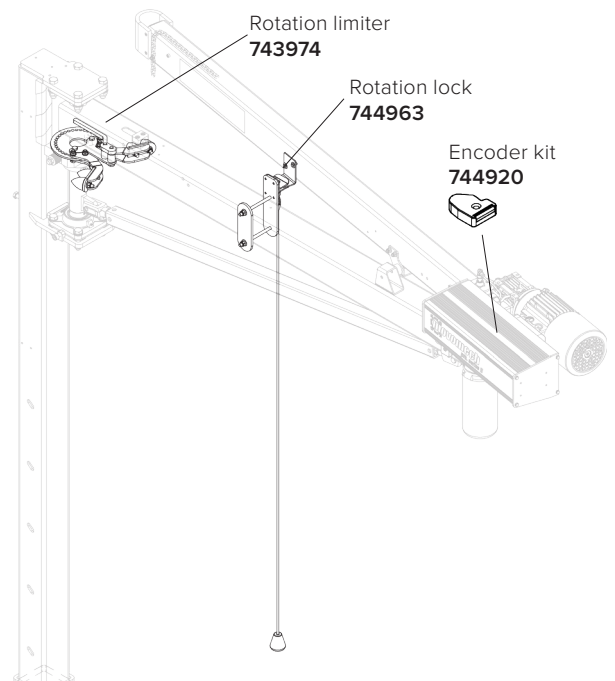


Control unit M12
Separate emergency stop
742240



Control unit M12 W. protection
Separate emergency stop
742241

8. Accessories

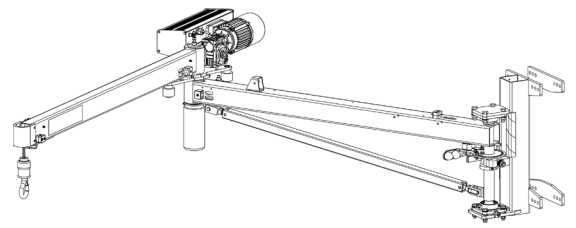


Rotation limiter
743974

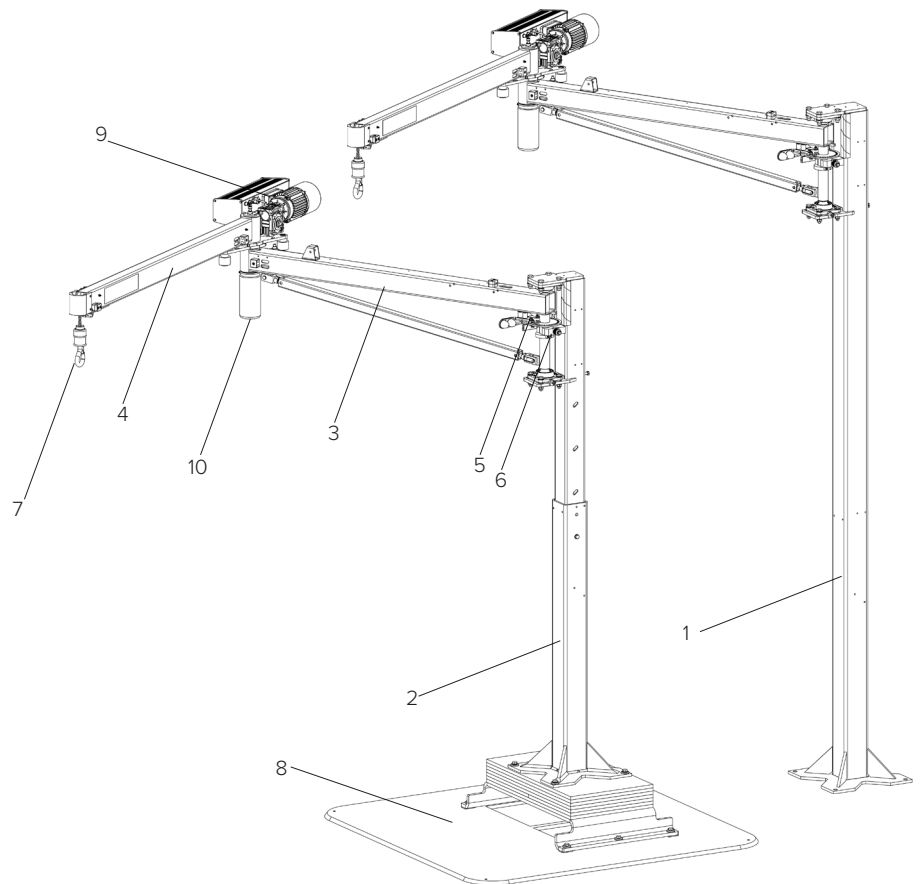
Rotation lock
744963

Encoder kit
744920

1. Fixed pillar (B Fix)
2. Adjustable pillar (B, B+500)
3. Inner arm
4. Outer arm
5. Rotation limiter (optional)
6. Parking and drift brake
7. Lift hook
8. Mobile platform
9. Mechchain
10. Chain collector



Wall-mounted crane



Technical information

Max. load	[kg]	55 - 100
Max. jib arm range	[mm]	2 000 - 4 000
Max. pillar length	[mm]	1 768 - 3 228
Stroke	[mm]	3 300
Voltage	V	1 x 230V, N, PE



**For more information, contact
your sales representative**

MOVOMECH AB
Kabelvägen 9
S-291 09 Kristianstad, Sweden
Telefon: +46 (0)44 - 28 29 00
E-mail: info@movomech.com
Web: www.movomech.com

