

# Mechcrane

Catalogue

2019-11-01

EN





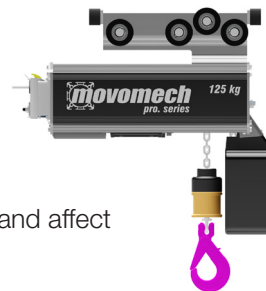
# Contents

Wall mounted cranes .....	4
LVS .....	4
AVS1 .....	4
AVS2 .....	5
Floor mounted cranes.....	6
LPS .....	6
APS1 .....	7
APS2 .....	8
Knuckle boom cranes.....	9
VKL .....	9
VKL-H .....	10
VKA 125.....	11
VKA-H 125.....	12
VKA 200.....	13
Optional products.....	15
End fix .....	15
Cable towing arms .....	15
Cable trolleys.....	16
Wire brackets .....	17
Cable & hose clamps .....	17
Coupling units .....	18
Cable .....	18
Safety switch.....	18
Hose .....	18
Pillar bracket .....	19

## Information

Please note that all versions of Mechcrane wall and pillar mounted cranes are only intended to be used in combination with **soft-starting lifting equipment**.

Non soft-starting lifting equipment can cause unwanted movements in the crane, which can interfere with the handling and affect product life.



Although the greatest care was taken regarding the information in this catalogue, we assume no responsibility for any errors. We reserve the right to make changes.

ILLUSTRATIONS – The illustrations in the catalogue represent the described products, but the delivered goods may differ in some respects from the illustrations.

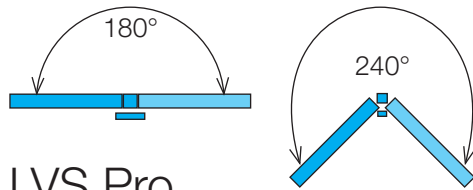
SPECIFICATIONS – The right is reserved to make changes in design and dimensions compared with the information in the catalogue in order not to prevent development of designs, material and manufacturing methods.

The customer is reminded that there is supplementary information that is not included in the catalogue regarding the suitability of different product combinations within Movomech's comprehensive product line.

All relevant information must be provided to the persons who are responsible for the application of the product.

# Wall mounted cranes

- Free up floor space



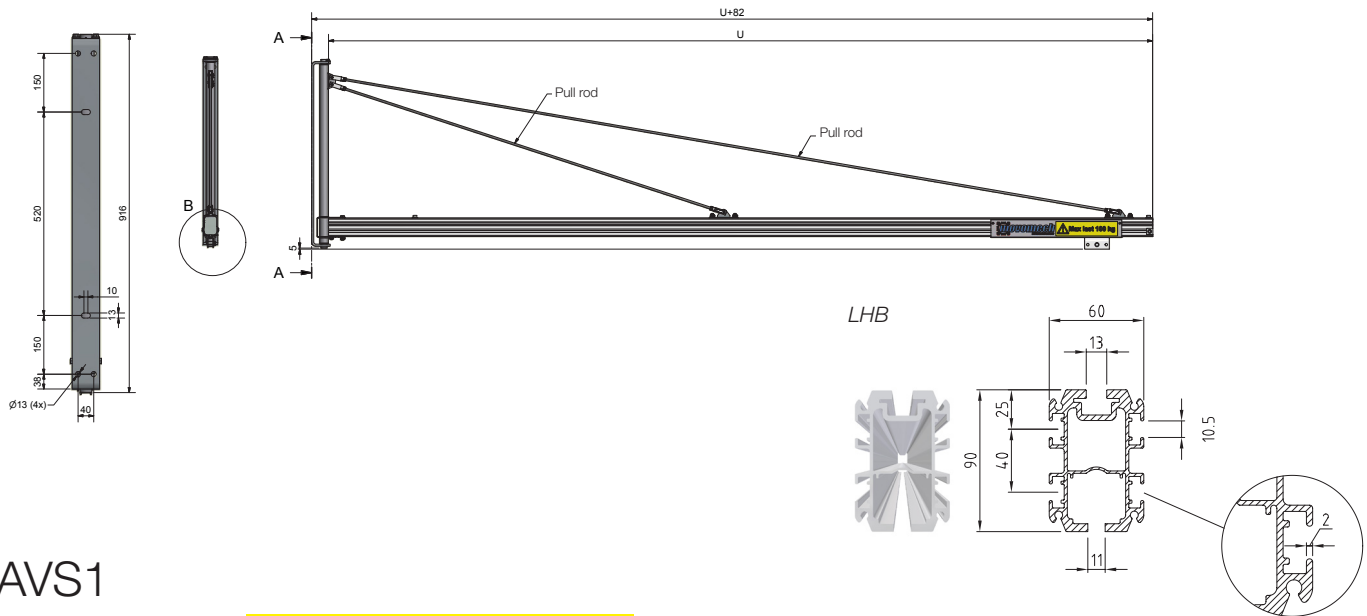
## LVS Pro

**Installation**  
Mounting bolts must cope  
3,5 kN/bolt tensile load.

1500-6000 mm

Max load 30-110 kg

Jib U mm	2000	2500	3000	3500	4000	4500	5000	5500	6000	2000-6000
Max load kg	110	110	110	110	110	63	50	40	30	30-110
# pull rods	1	1	1	2	2	2	2	2	2	1-2
	741600	741601	741602	741603	741604	741605	741606	741607	741608	741609



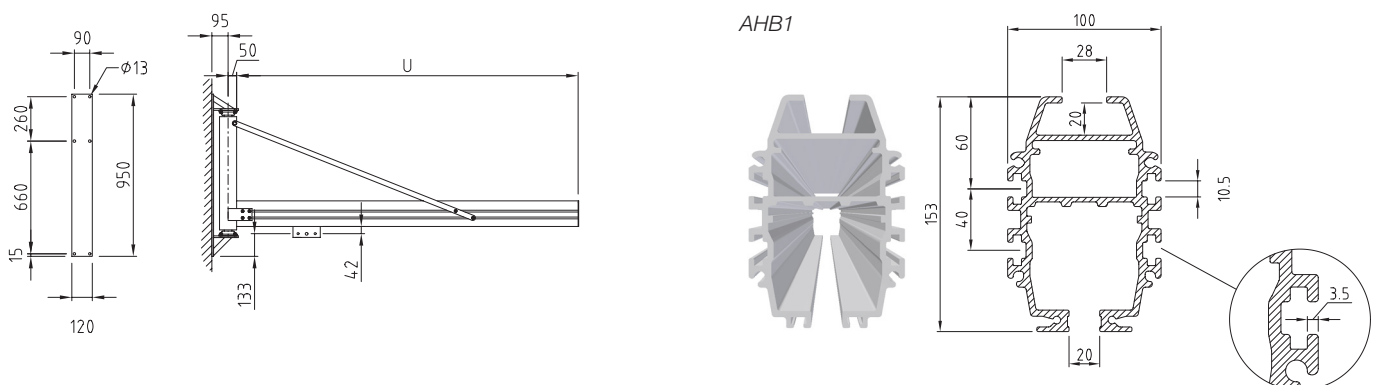
## AVS1

1500-4000 mm

Max load 150 kg

**Installation**  
Mounting bolts must cope  
5 kN/bolt tensile load.

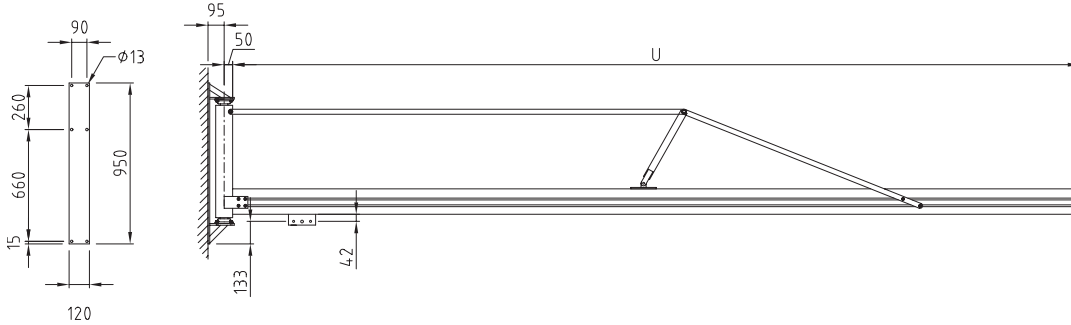
Jib U mm	1500	2000	2500	3000	3500	4000	1500-4000
	735100	735101	735102	735103	735104	735105	735108



4000-5000 mm

Max load 125 kg

Jib U mm	4500	5000	4000-5000
	735106	735107	735109



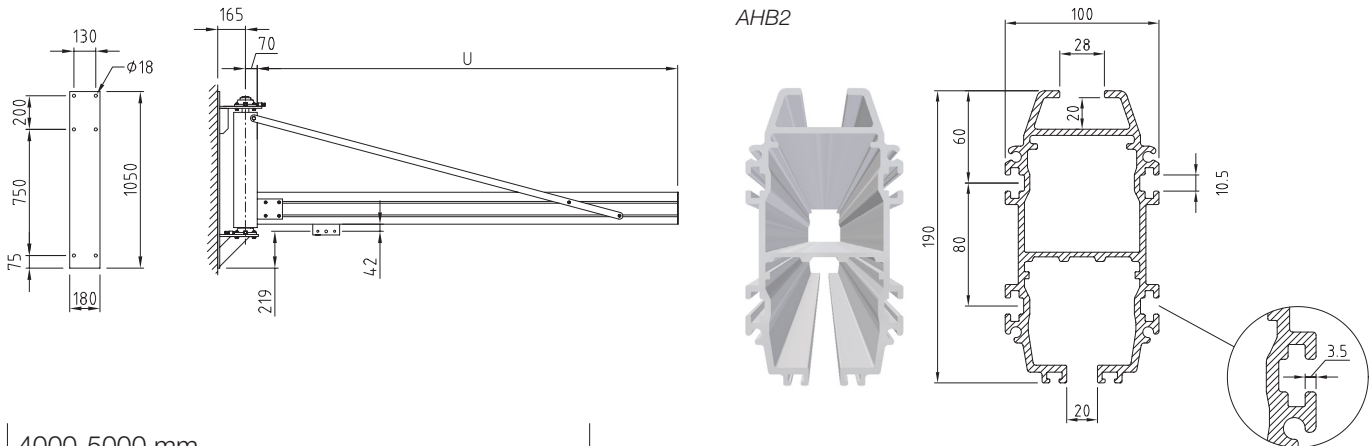
## AVS2

1500-4000 mm

Max load 250 kg

**Installation**  
Mounting bolts must cope  
3,8 kN/bolt tensile load.

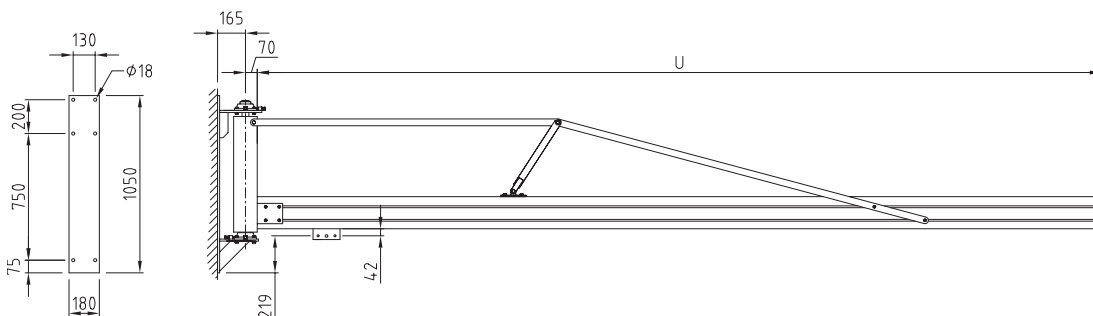
Jib U mm	1500	2000	2500	3000	3500	4000	1500-4000
	735200	735201	735202	735203	735204	735205	735208



4000-5000 mm

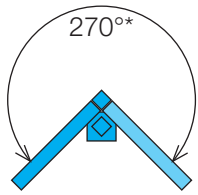
Max load 200 kg

Jib U mm	4500	5000	4000-5000
	735206	735207	735209



# Floor mounted cranes

- Suitable almost everywhere



\* LPS 240°



## LPS Pro

1500-6000 mm

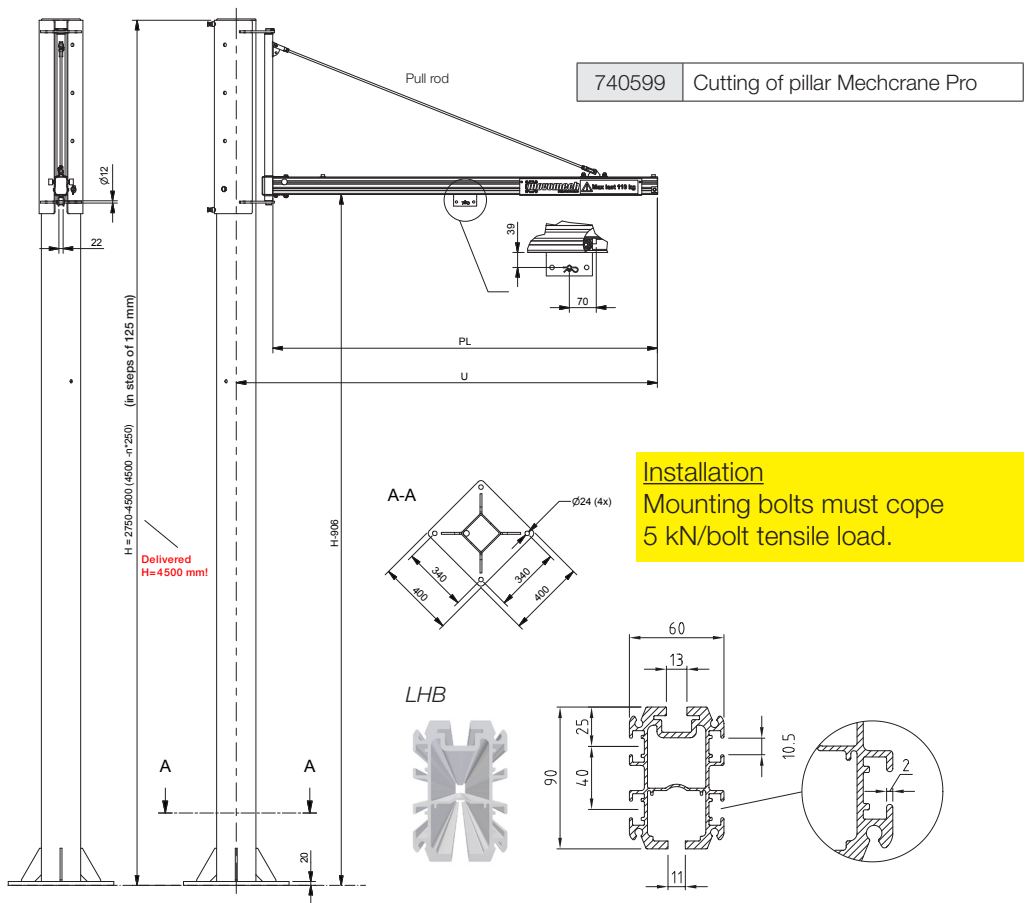
Max load 30-110 kg

Jib U mm	2000	2500	3000	3500	4000	4500	5000	5500	6000	2000-6000
Max load kg	110	110	110	110	110	63	50	40	30	30-110
# pull rods	1	1	1	2	2	2	2	2	2	1-2
	741510	741511	741512	741513	741514	741515	741516	741517	741518	741519

### Information

**Mechcrane LPS is delivered with a pillar height H=4500 mm.\*** The pillar can be cut in steps of 125 mm down to 2750 mm as lowest. On the pillar there is a hole pattern to attach the jib at fixed positions at distances of 125 mm.

Cutting of the pillar before delivery, can be ordered as an addition.

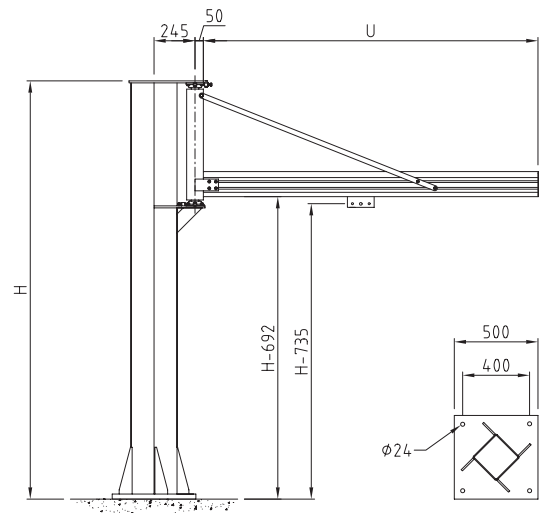


Height	Profile (under)	Trolley
H mm	H-905 mm	H-945 mm
2750	1845	1805
2875	1970	1930
3000	2095	2055
3125	2220	2180
3250	2345	2305
3375	2470	2430
3500	2595	2555
3625	2720	2680
3750	2845	2805
3875	2970	2930
4000	3095	3055
4125	3220	3180
4250	3345	3305
4375	3470	3430
<b>4500*</b>	<b>3595</b>	<b>3555</b>

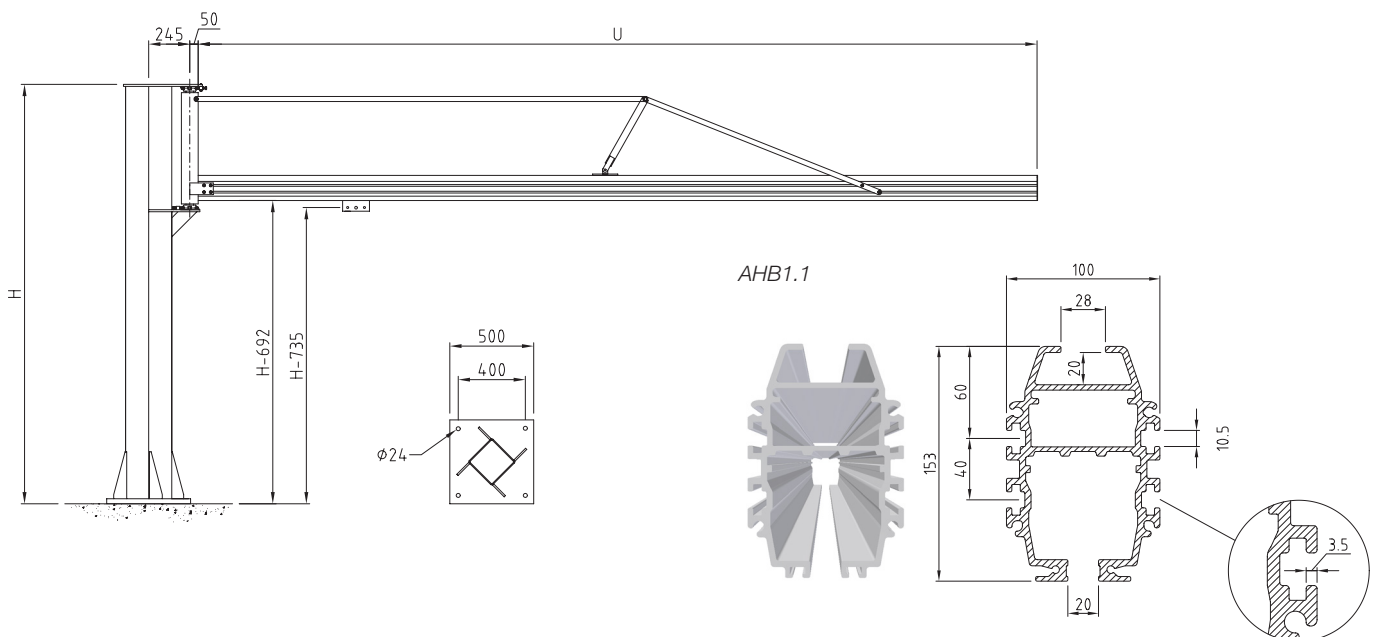
# APS1

1500-4000 mm							
Max load 150 kg							
Jib U mm	1500	2000	2500	3000	3500	4000	1500-4000
Height H mm							
2750	735110	735111	735112	735113	735114	735115	735118
3000	735120	735121	735122	735123	735124	735125	735128
3250	735130	735131	735132	735133	735134	735135	735138
3500	735140	735141	735142	735143	735144	735145	735148
3750	735150	735151	735152	735153	735154	735155	735158
4000	735160	735161	735162	735163	735164	735165	735168
4250	735170	735171	735172	735173	735174	735175	735178
4500	735180	735181	735182	735183	735184	735185	735188
<4500	735190	735191	735192	735193	735194	735195	735198

4000-5000 mm			
Max load 125 kg			
Jib U mm	4500	5000	4000-5000
Height H mm			
2750	735116	735117	735119
3000	735126	735127	735129
3250	735136	735137	735139
3500	735146	735147	735149
3750	735156	735157	735159
4000	735166	735167	735169
4250	735176	735177	735179
4500	735186	735187	735189
<4500	735196	735197	735199



**Installation**  
Mounting bolts must cope 8.5 kN/bolt tensile load.



# APS2

1500-4000 mm

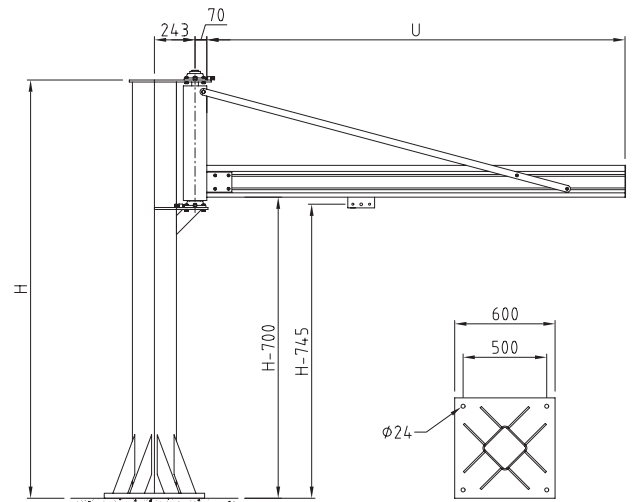
Max load 250 kg

Jib U mm	1500	2000	2500	3000	3500	4000	1500-4000
Height H mm							
2750	735210	735211	735212	735213	735214	735215	735218
3000	735220	735221	735222	735223	735224	735225	735228
3250	735230	735231	735232	735233	735234	735235	735238
3500	735240	735241	735242	735243	735244	735245	735248
3750	735250	735251	735252	735253	735254	735255	735258
4000	735260	735261	735262	735263	735264	735265	735268
4250	735270	735271	735272	735273	735274	735275	735278
4500	735280	735281	735282	735283	735284	735285	735288
<4500	735290	735291	735292	735293	735294	735295	735298

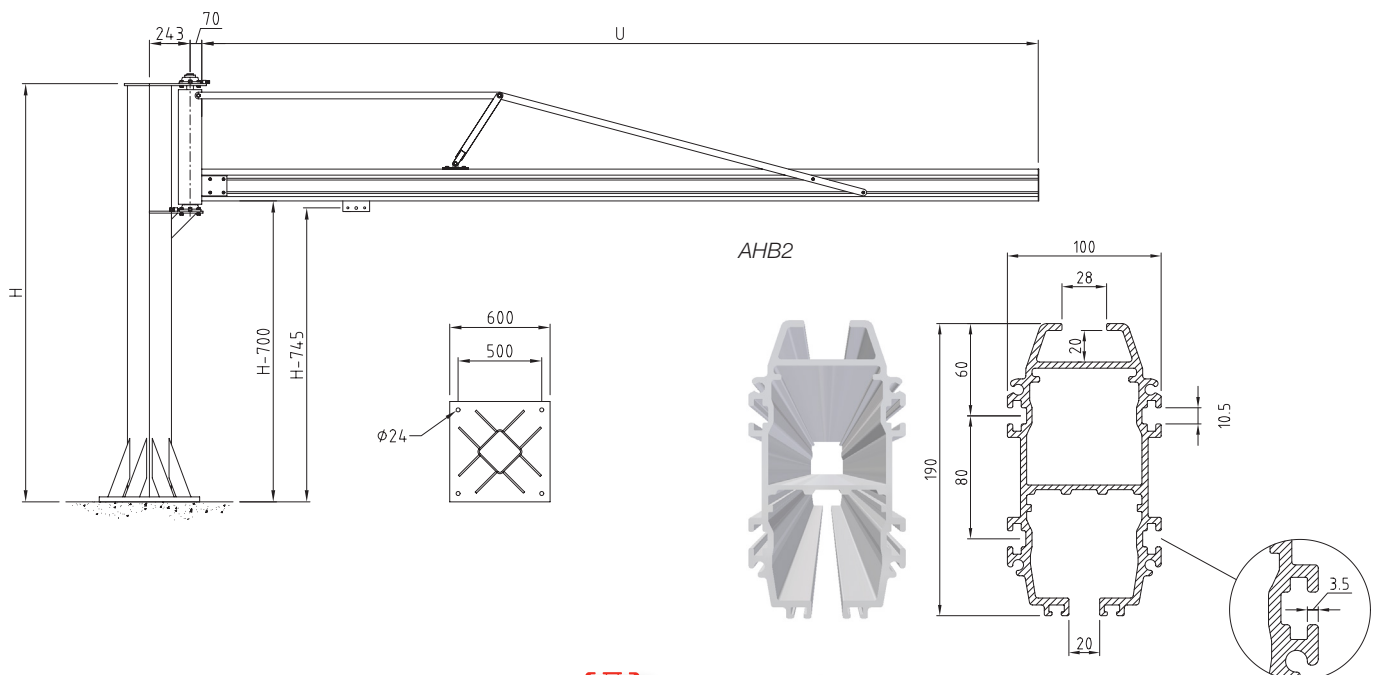
4000-5000 mm

Max load 200 kg

Jib U mm	4500	5000	4000-5000
Height H mm			
2750	735216	735217	735219
3000	735226	735227	735229
3250	735236	735237	735239
3500	735246	735247	735249
3750	735256	735257	735259
4000	735266	735267	735269
4250	735276	735277	735279
4500	735286	735287	735289
<4500	735296	735297	735299



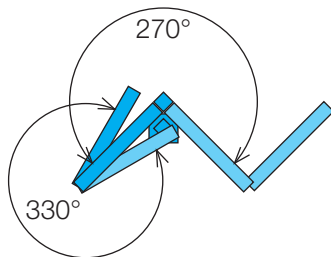
**Installation**  
Mounting bolts must cope 12 kN/bolt tensile load.





# Knuckle boom cranes

- Floor mounted knuckle boom crane
- Suitable almost everywhere

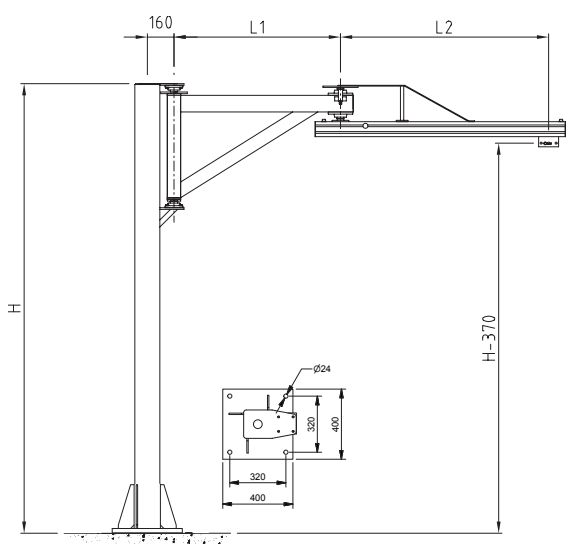


## VKL

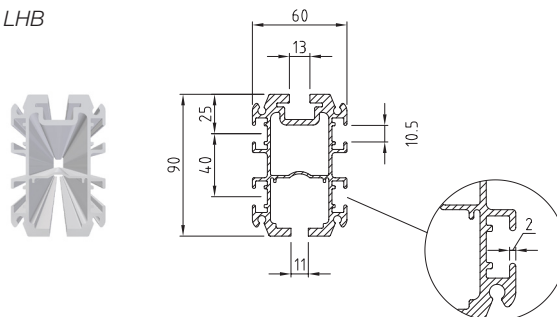
H mm	
2500	743135
2750	743136
3000	743137
3250	743138
3500	743139
3750	743140

L1 mm	
1000	736520
1250	736521
1500	736522
1750	736523

L2 mm		!
1250	737175	80 kg
1500	737176	63 kg
1750	737177	50 kg



LHB



### Installation

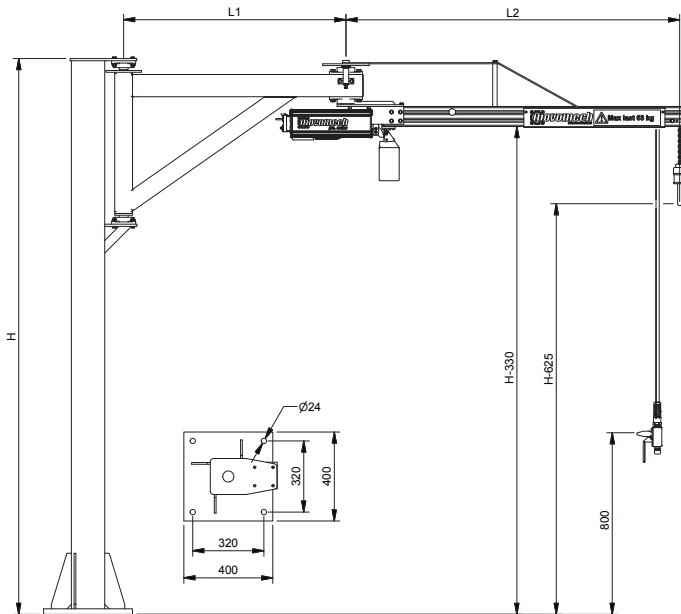
Mounting bolts must cope 4,2 kN/bolt tensile load.

# VKL-H

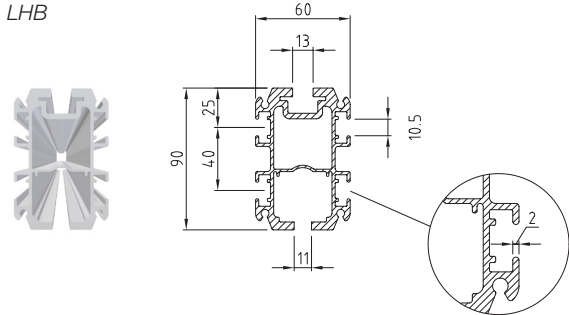
H mm	
2500	743135
2750	743136
3000	743137
3250	743138
3500	743139
3750	743140

L1 mm	
1000	736520
1250	736521
1500	736522
1750	736523

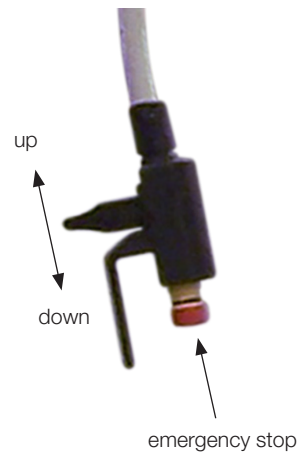
L2 mm		!
1250	742884	80 kg
1500	742885	63 kg
1750	742886	50 kg



LHB



Operating



**Installation**  
Mounting bolts must cope 4,2 kN/bolt tensile load.

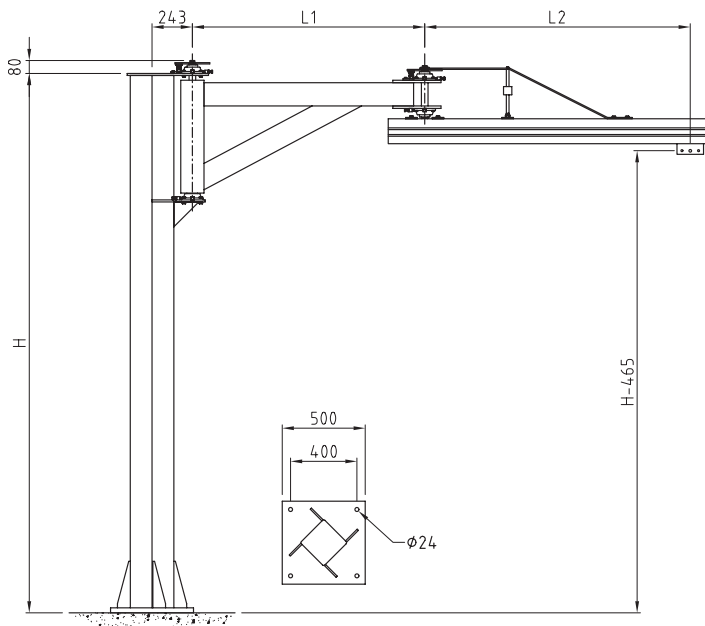
Load capacity	kg	50/63/80
Length of stroke (SL)	mm	4000
Hoisting speed	m/min	0-16
Chain	mm	4*12
Maximum tare weight	kg	200
Motor output	kW	0,22
Voltage	V	1x230 N, PE (±15%) 50/60 Hz
Fuse	AT	10
Enclosure class	IP	54
Noise level	dB (A)	<70

# VKA 125

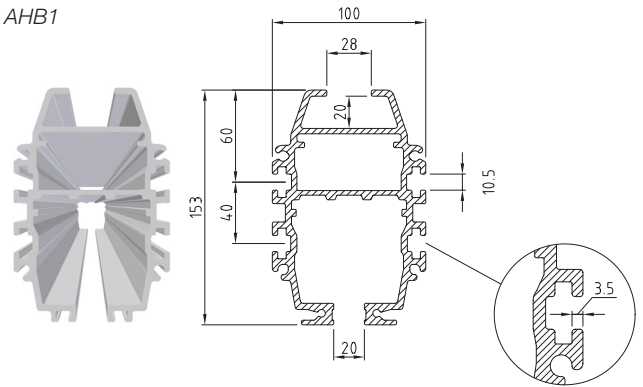
H mm	
2750	737144
3000	737145
3250	737146
3500	737147
3750	737148
4000	737149

L1 mm	
1200	737130
1400	737131
1650	737132
1900	737133

L2 mm	
1300	737190
1600	737191
1850	737192
2100	737193



AHB1



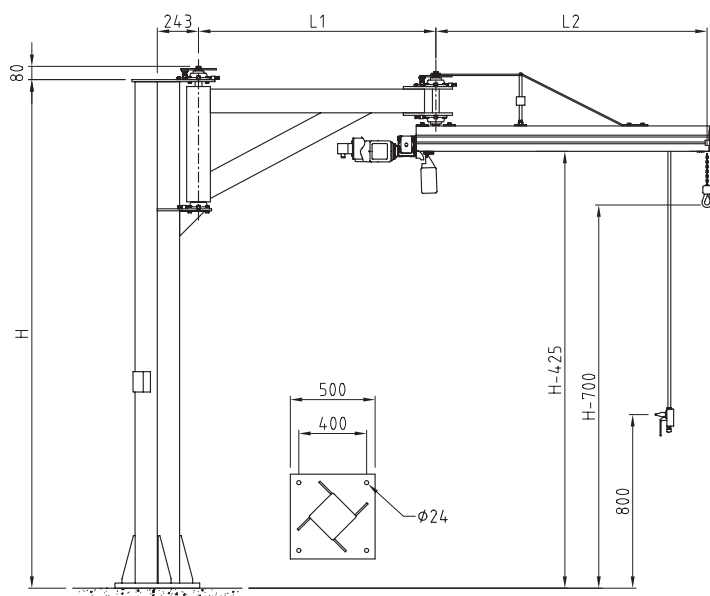
**Installation**  
 Mounting bolts must cope  
 7,5 kN/bolt tensile load.

# VKA-H 125

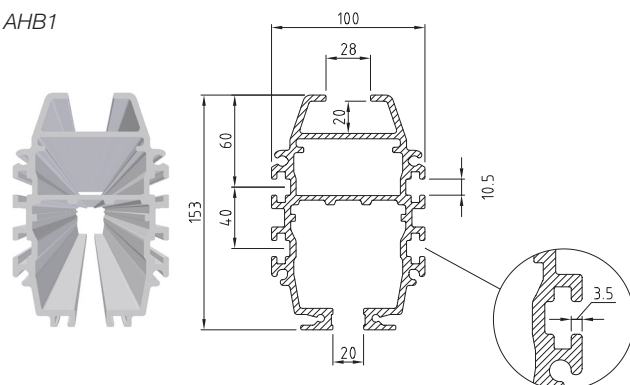
H mm	
2750	737144
3000	737145
3250	737146
3500	737147
3750	737148
4000	737149

L1 mm	
1200	737130
1400	737131
1650	737132
1900	737133

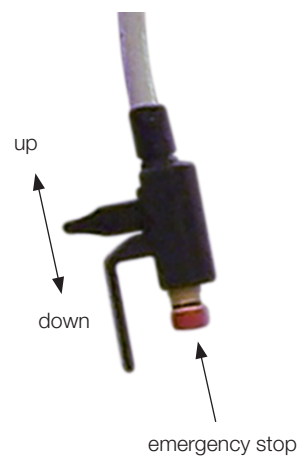
L2 mm	
1300	742887
1600	742888
1850	742889
2100	742890



AHB1



Operating



**Installation**  
Mounting bolts must cope 7,5 kN/bolt tensile load.

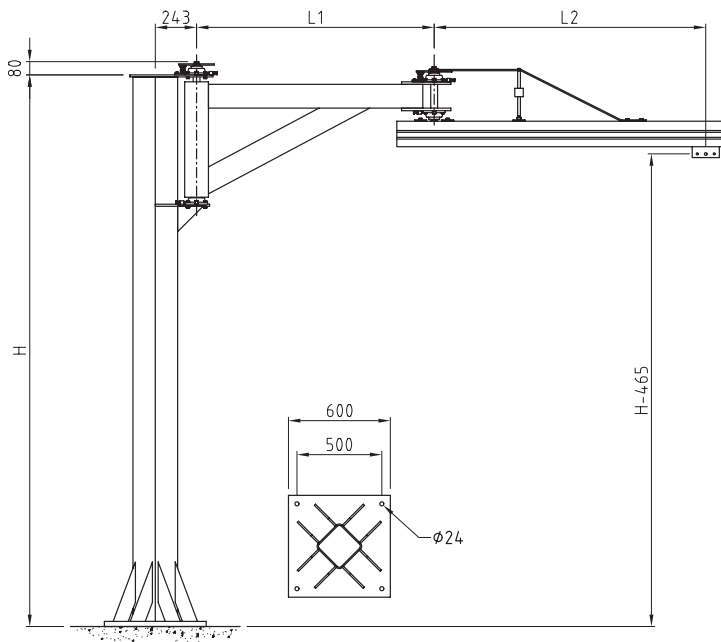
Load capacity	kg	125
Length of stroke (SL)	mm	4000
Hoisting speed	m/min	0-12
Chain	mm	4*12
Maximum tare weight	kg	275
Motor output	kW	0,22
Voltage	V	1x230 N, PE (±15%) 50/60 Hz
Fuse	AT	10
Enclosure class	IP	54
Noise level	dB (A)	<70

# VKA 200

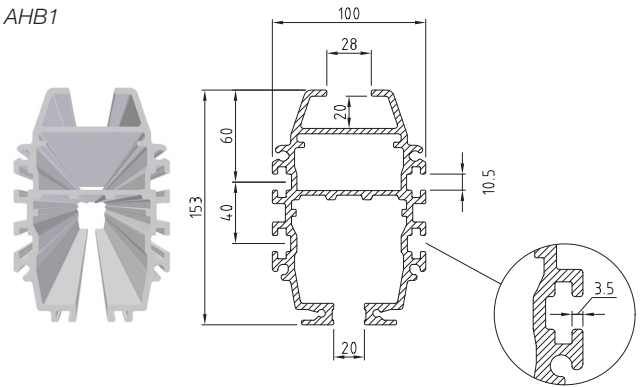
H mm	
2750	734231
3000	734232
3250	734233
3500	734234
3750	734235
4000	734236

L1 mm	
1200	737130
1400	737131
1650	737132
1900	737133

L2 mm	
1300	737140
1600	737141
1850	737142
2100	737143



AHB1



**Installation**  
 Mounting bolts must cope  
 10 kN/bolt tensile load.

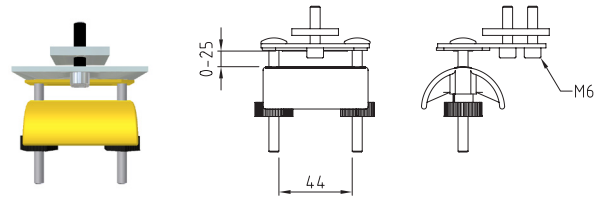


# Optional products

## End fix

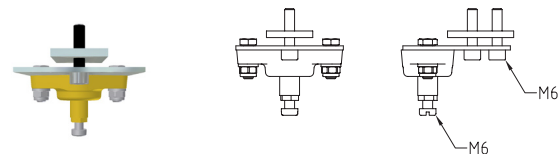
### A Saddle

Article	Rail	Capacity kg	Weight kg
730485	PHB-LHB	10	0,2
730488	AHB	10	0,2



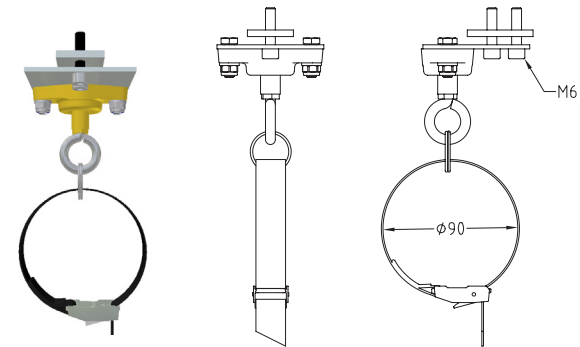
### B\* Ball joint

Article	Rail	Capacity kg	Weight kg
730491	PHB-LHB	10	0,15
730492	AHB	10	0,15



### C Strap

Article	Rail	Capacity kg	Weight kg
730494	PHB-LHB	10	0,2
730496	AHB	10	0,2

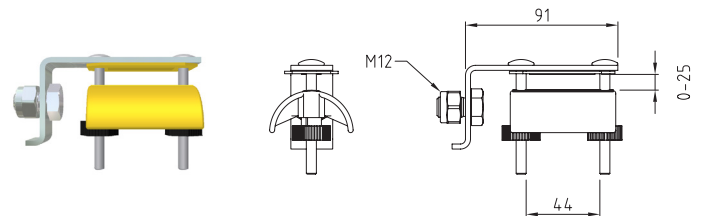


Max. 10 kg

## Cable towing arms

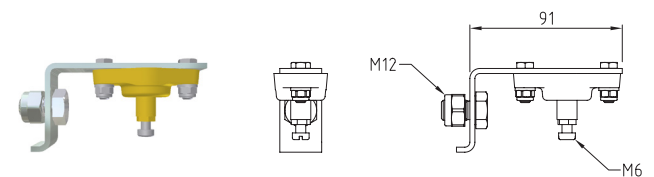
### A Saddle

Article	Rail	Capacity kg	Weight kg
730482	PHB-LHB-AHB	10	0,2



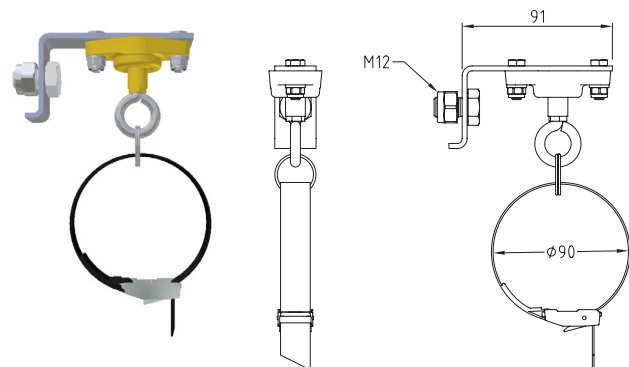
### B\* Ball joint

Article	Rail	Capacity kg	Weight kg
730493	PHB-LHB-AHB	10	0,15

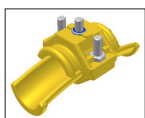


### C Strap

Article	Rail	Capacity kg	Weight kg
730495	PHB-LHB-AHB	10	0,2



Max. 10 kg

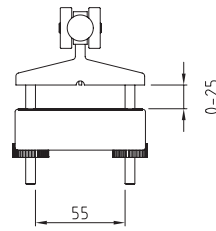
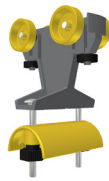


\* Combine with cable/hose clamp, section *Cable & hose clamps*.

# Cable trolleys

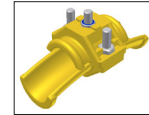
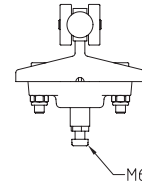
## A Saddle

Article	Rail	Weight kg
730467	PHB-LHB	0,15
730470	AHB	0,15



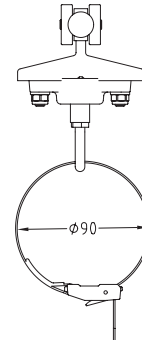
## B\* Ball joint

Article	Rail	Weight kg
730469	PHB-LHB	0,15
730472	AHB	0,15



## C Strap

Article	Rail	Weight kg
730497	PHB-LHB	0,15
730498	AHB	



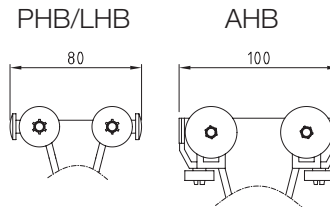
\* Combine with cable/hose clamp, section *Cable & hose clamps*.

### INFORMATION

Cable trolleys for LHB also fits C-rails 30x32.  
Should be combined with supplementary travel limits to avoid damage to the cable trolleys.

### Recommended cable trolleys

U mm	Quantity
1500-2500	1
3000-3500	2
4000-4500	3
5000	4

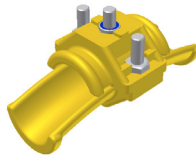


Max. 10 kg



# Cable & hose clamps

Article	ø	Weight kg
730473	10-16	0,05
730474	17-25	0,06
730475	26-36	0,1



Combine with end fix, strain relief or cable trolley with ball joint, review respective section.

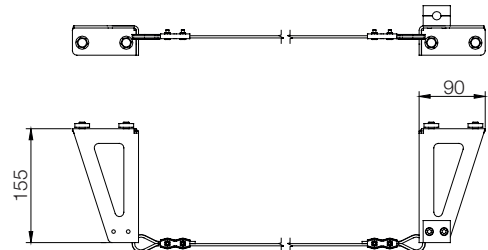
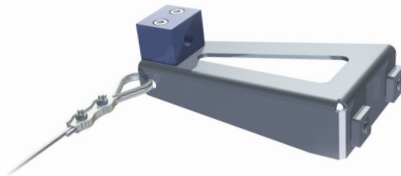
## INFORMATION

When using different sizes of type A, place the largest one next to the trolley.

Max. 10 kg

# Wire brackets

Article	Weight kg
740520	0.9



## INFORMATION

NOTE: Sold in pairs, incl. thimble and lock. Wire is ordered separately.

## Wire

Article	ø
730693	3



## Ring

Article
733846



## Strip

Article
730853



## Clamp

Article
731556



## Strain relief

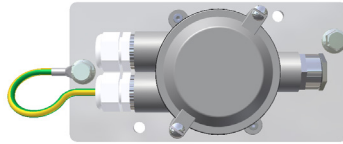
Article
739976 **

\* For cable or hose/cable combinations.

\*\* For spiral hose.

# Coupling units

Article	Type	Weight kg
730522	A	0,6
730524	C	0,6



IP67

## INFORMATION

A: For the round cable/flat cable combination, including earthing cable  
 C: For the round cable/round cable combination, including earthing cable

**NOTE: Electrical installation may be performed only under the supervision of a qualified electrician!**

# Safety switch

Article
731530



## INFORMATION

Lockable.  
 Mounting screws and cable fitting are not included.

**NOTE: Electrical installation may be performed only under the supervision of a qualified electrician!**

# Cable

## Round

Article	Type	ø mm
730650	3G1,5	10
730652	5G1,5	11

## Flat

Article	Type	mm
730648	4G1,4	15*5
730649	5G1,5	18*5

# Hose

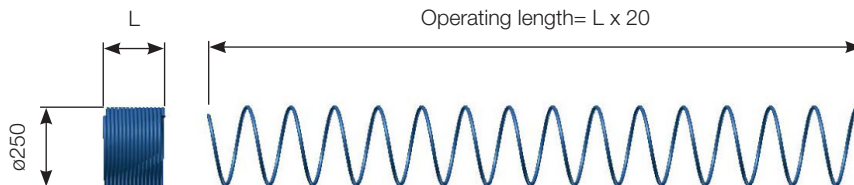
Article	ø mm
730646	15,5*10

## INFORMATION

Cable and hoses are ordered per running meter, spiral hose is ordered per operating length.

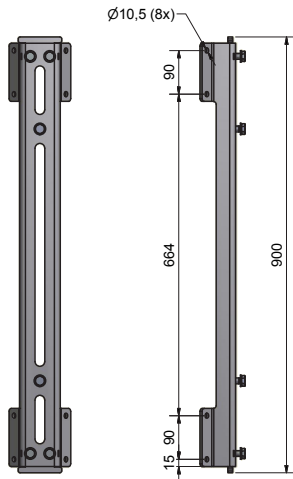
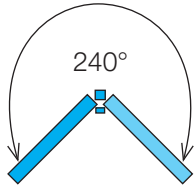
## Spiral

Article	ø mm
730647	12*10



# Pillar bracket

Article
741597



## INFORMATION

Fits LVS crane.  
For installation on existing pillar or wall corner.  
Mounting screws are not included.

## Installation

Mounting bolts must cope  
3,5 kN/bolt tensile load.

**Movomech AB**

Kabelvägen 9  
SE-291 62 Kristianstad  
SWEDEN

Phone +46 44 282 900

Fax +46 44 282 928

E-mail [info@movomech.se](mailto:info@movomech.se)

Web [www.movomech.com](http://www.movomech.com)

