



Movomech gripper tool arms

Extend the reach

Flexible accessories series

Now there is a series of tools arms as standard accessories for Movomech lifting manipulators, which can be combined to suit a wide range of handling solutions. The mechanical interface is tailored to fit Movomech standard lifters without any modification required.

Beneficial moment-absorbing capacity

The moment-absorbing capacity in combination with a large reach distance gives important advantages for complex material handling operations, and for gripping and rotation of eccentric loads.

Large working reach and great flexibility

The gripper tool arm extends the working reach of the lifter when the operator is working under a protruding roof, inside a vehicle or in a working area with restricted accessibility.

Multiple configurations and optional colour

The tool arms are available in lengths of up to 2 m and for an external torque up to 300 Nm. The arms are supplied in galvanized version or painted in a RAL colour of choice.

Combinations

Lifting manipulator	With adapter*	Max load (kg)	Max moment (Nm)	Gripper tool arm
Standard combinations				
Mechspace Pro 70/70P	-	50-70 ¹	500	A50 - B50 - C50 - D50
Mechspace Pro 150/150P	-	100-150 ²	1500	A60 - B60 - C60 - D60
Other combinations				
Mechlift Pro P 100	742400 / 742401	70 ³ /100	500	A60 - B60 - C60 - D60
Mechlift Pro P 150	739852 / 739853	150	1000	A60 - B60 - C60 - D60
Mechlift Pro E 75	739850 / 739851	75	500	A60 - B60 - C60 - D60
Mechlift Pro E 150	739852 / 739853	150	800	A60 - B60 - C60 - D60
Mechlift Pro E 150-3	739850 / 739851	150	500	A60 - B60 - C60 - D60
Mechlift Pro E 250	-	250	800	⁴
Mechlift Pro E 250-3	-	250	500	⁴
Mechlift Pro E 400	-	400	1000	⁴
Mechlift Pro E 650	-	650	1000	⁴

^{1,2} Depends on pressure, see manual ³ With load cell ⁴ Not applicable, project solution required

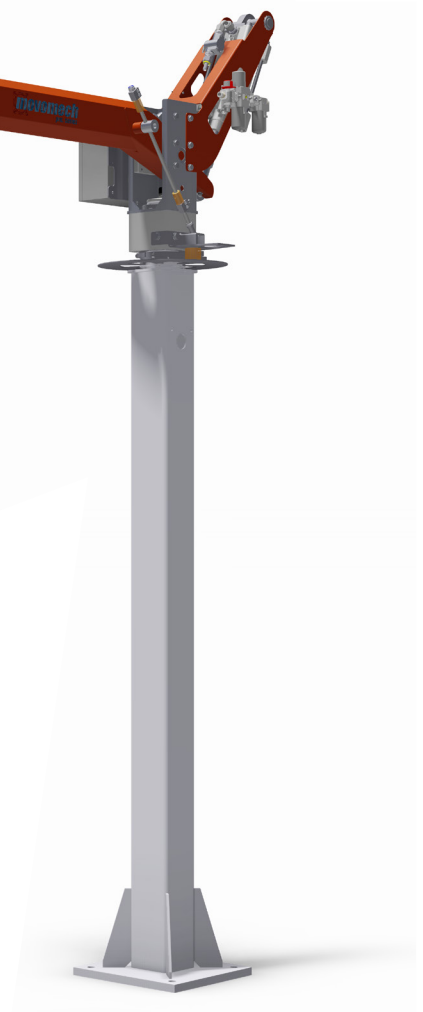
* On Mechlift Pro the gripper tool arm is mounted in combination with a rotation unit.



Mechspace 70
Gripper tool arm B50



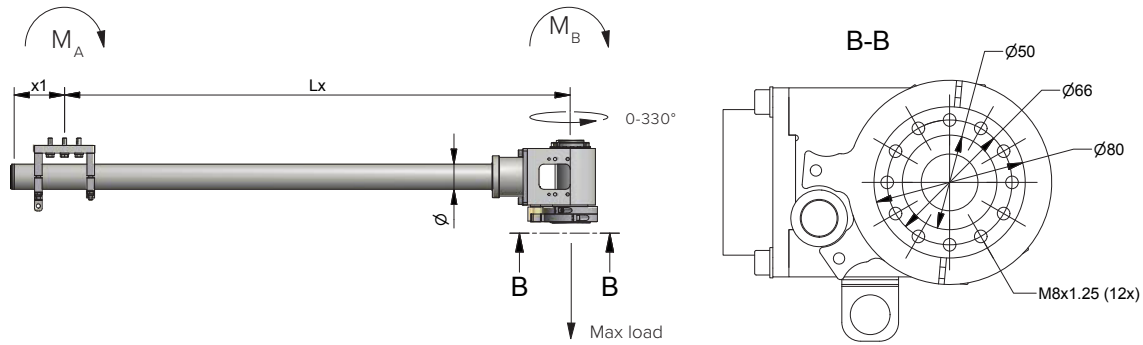
Mechlift Pro P 100
Gripper tool arms A60+C50



Mechspace 70P
Gripper tool arm D50

A50/A60

Specify when ordering: Lx, galvanized/RAL colour



	A50	A60
Ø mm	50	60
x1 mm	100	120
Lx mm	220-2000	300-2000
m kg	$8+Lx \cdot 0,0035$	$10+Lx \cdot 0,0055$

Ex: A50 Lx=1250 mm

m: $8+(1250 \cdot 0,0035)=12,4$ kg

742816 Gripper tool arm A50				
Lx (mm)	Max load (kg)	Moment A ¹ (Nm)	Moment B ² (Nm)	Tare weight ³ (m)
300	70	206	300	9,5
400	70	275	257	9,4
500	70	343	206	9,8
600	70	412	171	10,1
700	70	481	147	10,5
800	64	500	129	10,8
900	57	500	114	11,2
1000	51	500	103	11,5
1100	46	500	93	11,9
1200	42	500	86	12,2
1300	39	500	79	12,6
1400	36	500	73	12,9
1500	34	500	69	13,3
1600	32	500	64	13,6
1700	30	500	60	14
1800	28	500	57	14,3
1900	27	500	54	14,7
2000	25	500	51	15

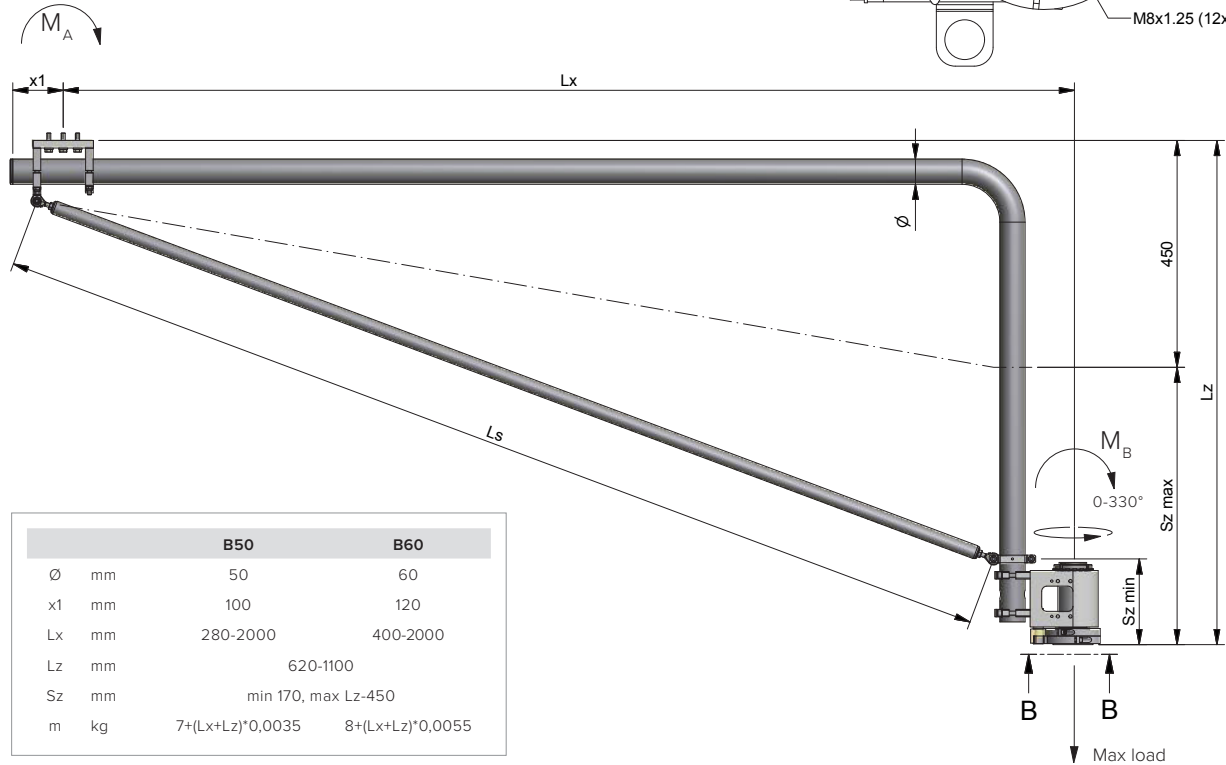
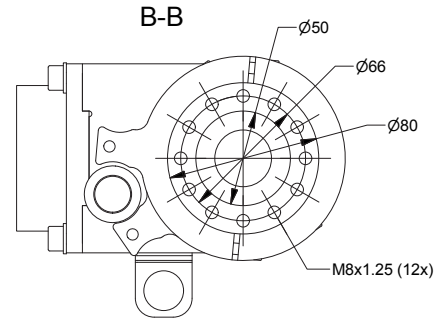
¹ Max moment 500 Nm ² Max moment 300 Nm
³ Tare weight of gripper tool arm (kg)

742843 Gripper tool arm A60				
Lx (mm)	Max load (kg)	Moment A ¹ (Nm)	Moment B ² (Nm)	Tare weight ³ (m)
300	150	441	300	11,7
400	150	589	300	12,2
500	150	736	300	12,8
600	150	883	300	13,3
700	150	1030	300	14
800	143	1125	290	14,4
900	127	1125	258	15
1000	115	1125	232	15,5
1100	104	1125	211	16,1
1200	96	1125	193	16,6
1300	88	1125	179	17,2
1400	82	1125	166	17,7
1500	76	1125	155	18,3
1600	72	1125	145	18,8
1700	67	1125	137	19,4
1800	64	1125	129	19,9
1900	60	1125	122	20,5
2000	57	1125	116	21

¹ Max moment 1125 Nm ² Max moment 300 Nm
³ Tare weight of gripper tool arm (kg)

B50/B60

Specify when ordering: Lx, Lz, Sz, galvanized/RAL colour



	B50	B60
̴ mm	50	60
x1 mm	100	120
Lx mm	280-2000	400-2000
Lz mm	620-1100	
Sz mm	min 170, max Lz-450	
m kg	$7+(Lx+Lz)*0,0035$	$8+(Lx+Lz)*0,0055$

Ex: B60 Lx=1700 mm, Lz=800 mm, Lx+Lz=2500 mm

m: $8+(2500*0,0055)=21,8$ kg

742817 Gripper tool arm B50			
Lx (mm)	Max load (kg)	Moment A ¹ (Nm)	Moment B ² (Nm)
300	70	206	300
400	70	275	257
500	70	343	206
600	70	412	171
700	70	481	147
800	64	500	129
900	57	500	114
1000	51	500	103
1100	46	500	93
1200	42	500	86
1300	39	500	79
1400	36	500	73
1500	34	500	69
1600	32	500	64
1700	30	500	60
1800	28	500	57
1900	27	500	54
2000	25	500	51

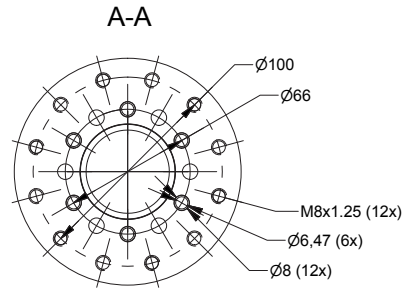
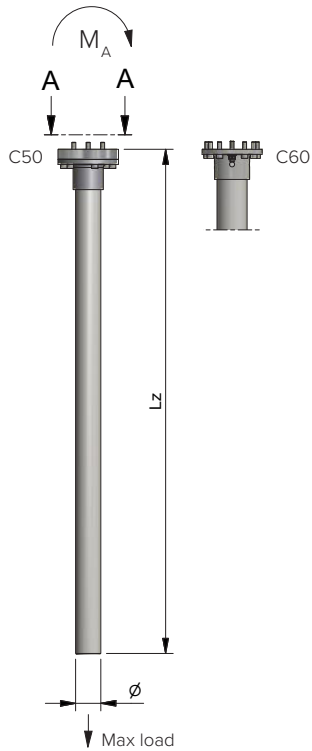
¹ Max moment 500 Nm ² Max moment 300 Nm

742844 Gripper tool arm B60			
Lx (mm)	Max load (kg)	Moment A ¹ (Nm)	Moment B ² (Nm)
400	150	589	300
500	150	736	300
600	150	883	300
700	150	1030	300
800	143	1125	290
900	127	1125	258
1000	115	1125	232
1100	104	1125	211
1200	96	1125	193
1300	88	1125	179
1400	82	1125	166
1500	76	1125	155
1600	72	1125	145
1700	67	1125	137
1800	64	1125	129
1900	60	1125	122
2000	57	1125	116

¹ Max moment 1125 Nm ² Max moment 300 Nm

C50/C60

Specify when ordering: Lz, galvanized/RAL colour



	C50	C60
Ø mm	50	60
Lz mm	250-2000	
m kg	$2+Lz*0,0035$	$1+Lz*0,0055$

Ex: C50 Lz=1100 mm

m: $2+(1100*0,0035)=5,9$ kg

742818 Gripper tool arm C50			
Lz (mm)	Max load (kg)	Moment A (Nm)	Tare weight ¹ (m)
300	70	500	3,1
400	70	500	3,4
500	70	500	3,8
600	70	500	4,1
700	70	500	4,5
800	70	500	4,8
900	70	500	5,2
1000	70	500	5,5
1100	70	500	5,9
1200	70	500	6,2
1300	70	500	6,6
1400	70	500	6,9
1500	70	500	7,3
1600	70	500	7,6
1700	70	500	8
1800	70	500	8,3
1900	70	500	8,7
2000	70	500	9

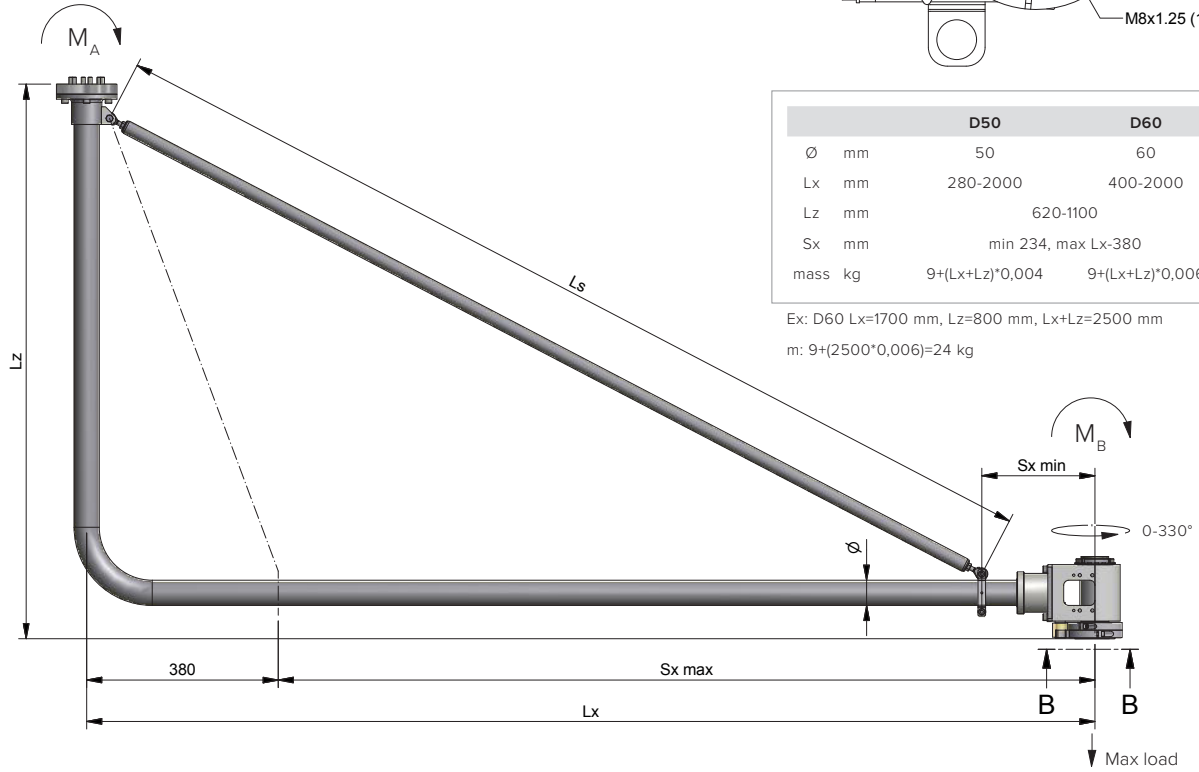
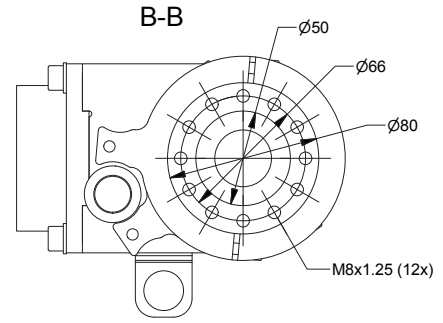
¹ Tare weight of gripper tool arm

742845 Gripper tool arm C60			
Lz (mm)	Max load (kg)	Moment A (Nm)	Tare weight ¹ (m)
300	150	1125	3,1
400	150	1125	3,4
500	150	1125	3,8
600	150	1125	4,1
700	150	1125	4,5
800	150	1125	4,8
900	150	1125	5,2
1000	150	1125	5,5
1100	150	1125	5,9
1200	150	1125	6,2
1300	150	1125	6,6
1400	150	1125	6,9
1500	150	1125	7,3
1600	150	1125	7,6
1700	150	1125	8
1800	150	1125	8,3
1900	150	1125	8,7
2000	150	1125	9

¹ Tare weight of gripper tool arm

D50/D60

Specify when ordering: Lx, Lz, Sx, galvanized/RAL color



	D50	D60
Ø mm	50	60
Lx mm	280-2000	400-2000
Lz mm	620-1100	
Sx mm	min 234, max Lx-380	
mass kg	$9+(Lx+Lz)*0,004$	$9+(Lx+Lz)*0,006$

Ex: D60 Lx=1700 mm, Lz=800 mm, Lx+Lz=2500 mm

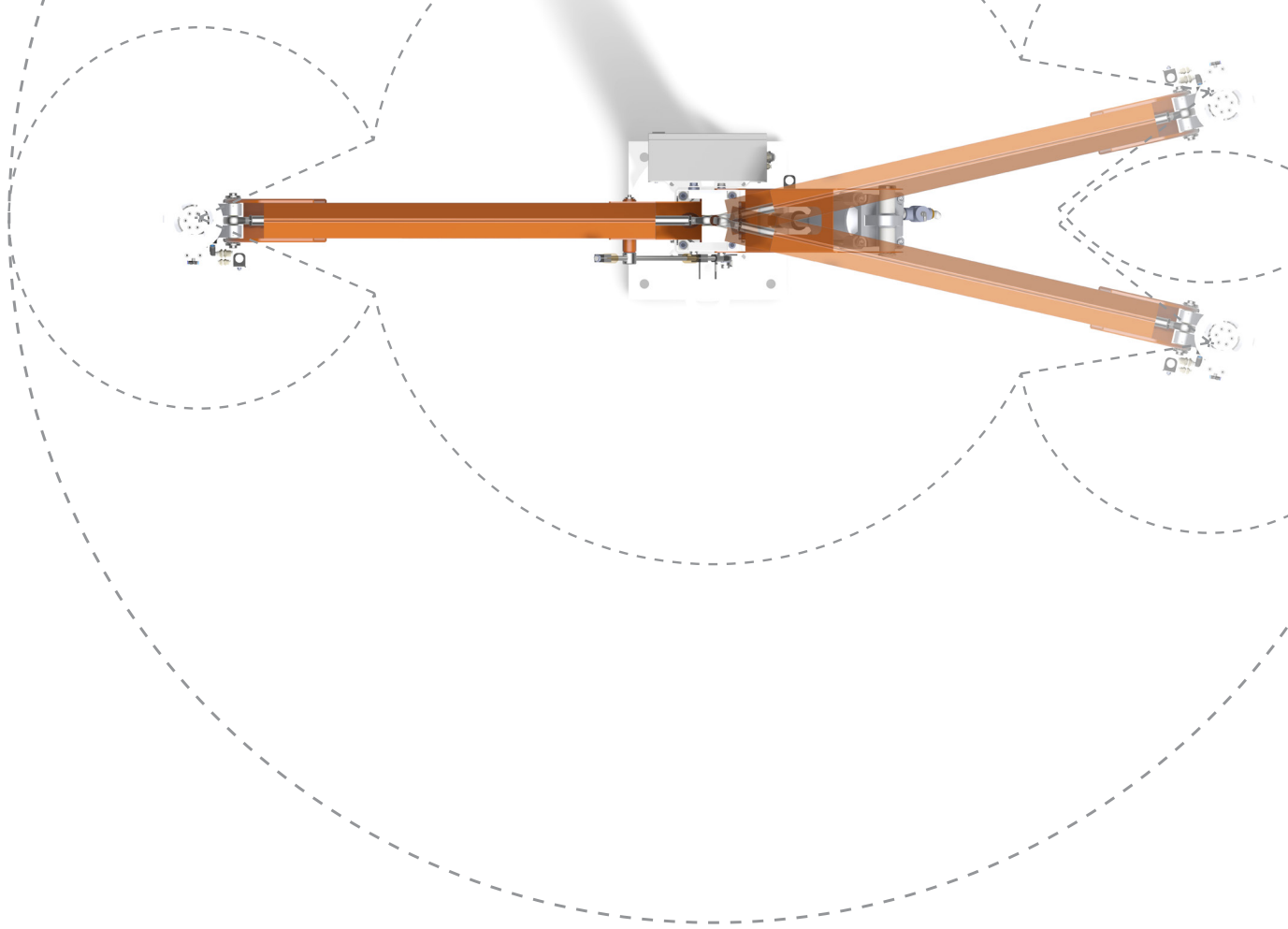
m: $9+(2500*0,006)=24$ kg

742819 Gripper tool arm D50			
Lx (mm)	Max load (kg)	Moment A ¹ (Nm)	Moment B ² (Nm)
300	70	206	300
400	70	275	257
500	70	343	206
600	70	412	171
700	70	481	147
800	64	500	129
900	57	500	114
1000	51	500	103
1100	46	500	93
1200	42	500	86
1300	39	500	79
1400	36	500	73
1500	34	500	69
1600	32	500	64
1700	30	500	60
1800	28	500	57
1900	27	500	54
2000	25	500	51

¹ Max moment 500 Nm ² Max moment 300 Nm

742846 Gripper tool arm D60			
Lx (mm)	Max load (kg)	Moment A ¹ (Nm)	Moment B ² (Nm)
400	150	589	300
500	150	736	300
600	150	883	300
700	150	1030	300
800	143	1125	290
900	127	1125	258
1000	115	1125	232
1100	104	1125	211
1200	96	1125	193
1300	88	1125	179
1400	82	1125	166
1500	76	1125	155
1600	72	1125	145
1700	67	1125	137
1800	64	1125	129
1900	60	1125	122
2000	57	1125	116

Max moment 1125 Nm ² Max moment 300 Nm



For more information,
contact your sales representative.

MOVOMECH AB
Kabelvägen 9
S-291 09 Kristianstad, Sweden
Telephone: +46 (0)44 - 28 29 00
E-mail: info@movomech.com
Web: www.movomech.com

