

MOBIARM™

A flexible solution for ergonomic lifting

MobiArm is an ergonomic articulated jib crane that can be adapted to each individual workplace, with a reach of up to 4 meters, and a height-adjustable floor pillar.

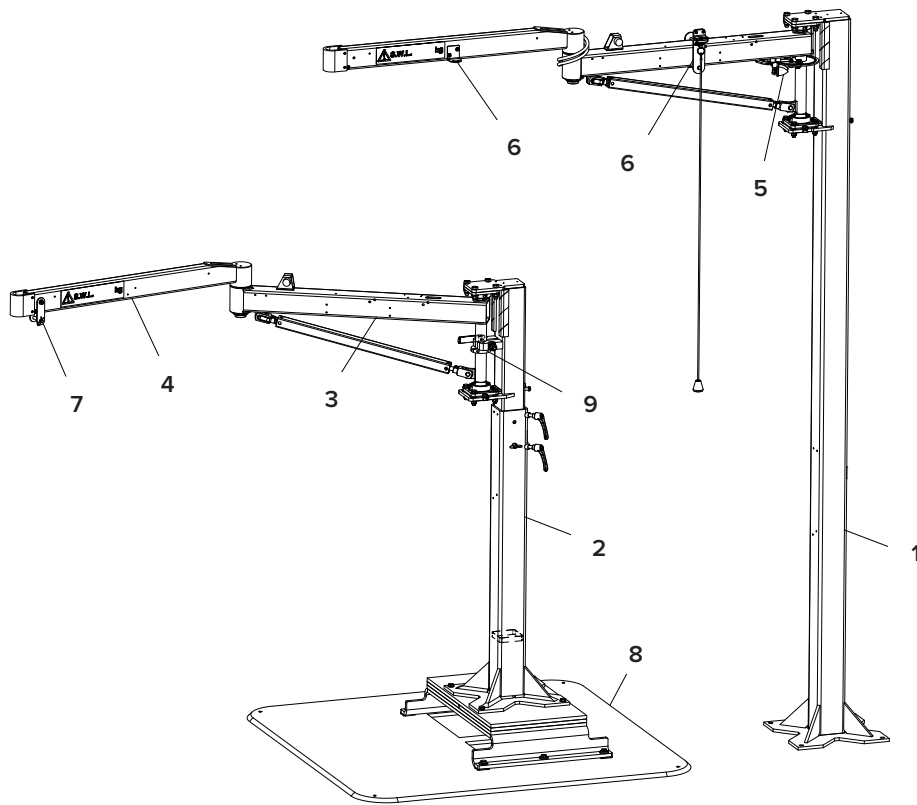
MobiArm's flexible design is combined with the lifting device of your choice! Add a mobile platform and you can easily move MobiArm between different workstations – a simple manual pallet truck will suffice!

**MOBIARM's advantages:**

- Ergonomic and flexible material handling – reposition when needed!
- Easy switching between different lifting devices
- Integrated combined parking and drift brake
- Anodized and maintenance-free surface
- Several options for electric and pneumatic media supply
- Lift capacity up to 125 kg

Typical APPLICATIONS:

- Lightweight lifting in assembly and manufacturing industries
- Material handling at conveyor lines



General data

Maximum load	[kg]	50 - 125
Outreach	[mm]	2000 - 4000

- 1. Fixed pillar
- 2. Adjustable pillar
- 3. Inner arm
- 4. Outer arm
- 5. Rotation limiter
- 6. Jib arm rotation lock
- 7. Lift unit suspension
- 8. Mobile platform
- 9. Parking and drift brake



LIFTING WITH MOBIARM™

MobiArm is a flexible folding crane designed to be used with any lifting device. The crane is modular, making it easy to customize it according to the needs of each workplace. It can be delivered in a variety of designs and installed in several different ways:

- on a mobile base plate
- directly in the floor
- on a wall
- on a pillar with a fixed tower
- on a pillar with adjustable tower

Mounted on a mobile base plate, MobiArm is easily moved around the premises using a pile or forklift truck for use at different workstations. A mobile base plate is also ideal for temporary workstations.

MobiArm comes with a fixed or adjustable tower. The adjustable tower

can easily be adjusted to the desired height, which is an advantage at workstations where the equipment needs to be adapted after different handling operations.

MobiArm is equipped with an articulated jib arm with lengths between 2 and 4 meters. The arm rotation uses low-friction ball-bearings making it very smooth and easy to use.

The inner and outer arms can be locked to each other (option) and the inner arm can also be locked against the pillar (option).

The inner arm has a rotation brake (option) that acts both as a parking brake and as an adjustment to prevent the arm from "drifting" when set to a certain position.

As an option, there is also an adjustable rotation limiter that perfectly adapts the operating workspace for the specific handling.